

REHAU EXPRESS COLLECTION

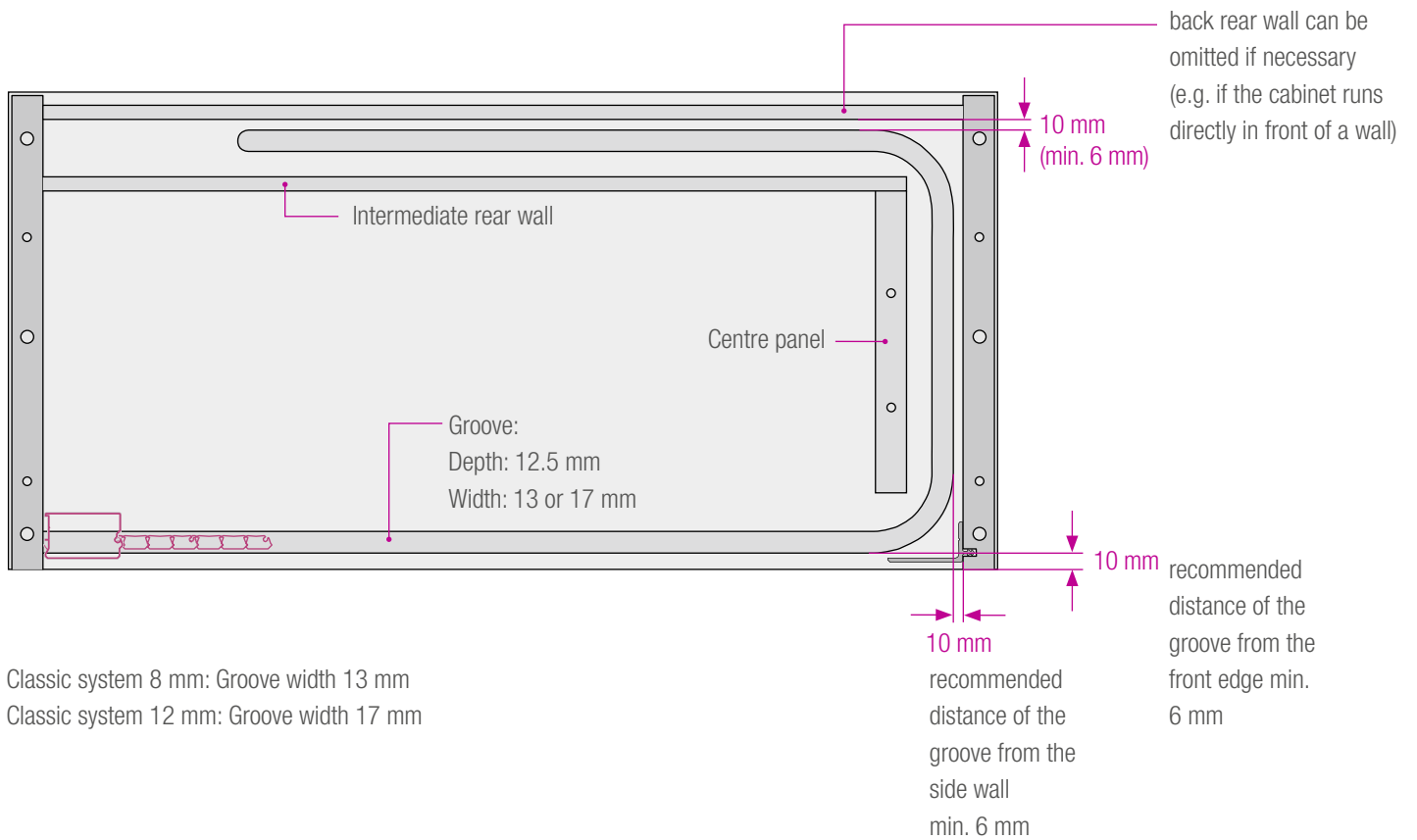
TAMBOUR DOOR SYSTEMS

INSTALLATION GUIDE CLASSIC TRACK (RECESSED SYSTEM)



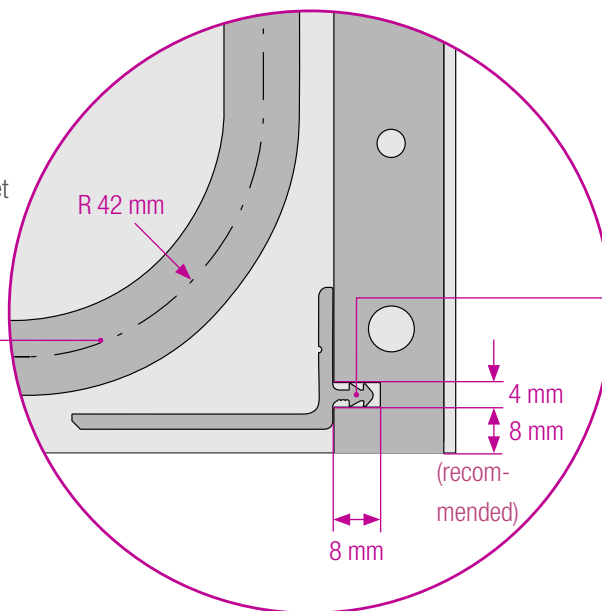
1. Cabinet design

1.1 Details of the recommended cabinet design running into the back wall:



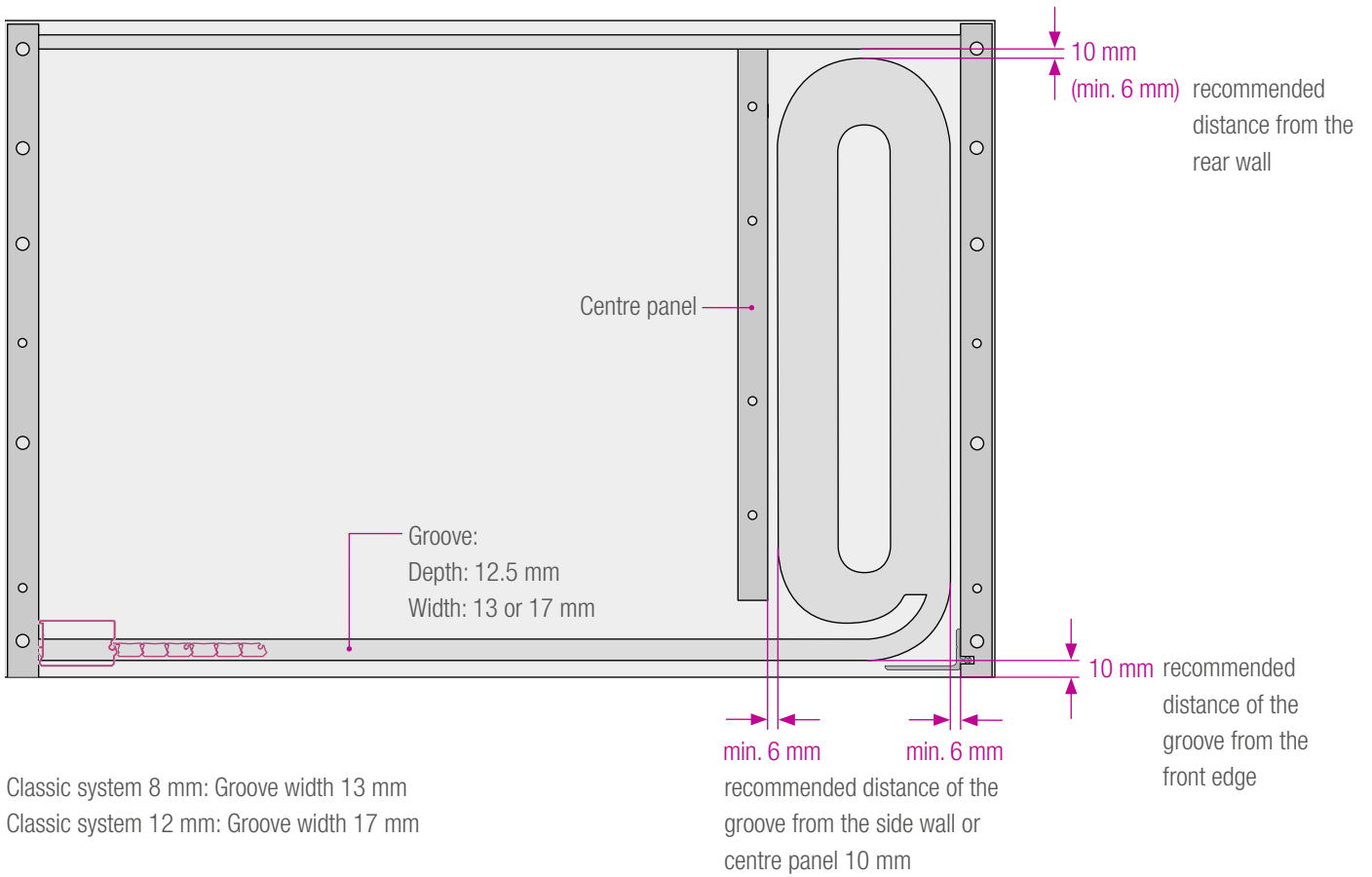
Detail 90° - Deflector and groove for pelmet

Radius:
Depth: 12.5 mm
Width: 13 mm or 17 mm
Average radius: 42 mm



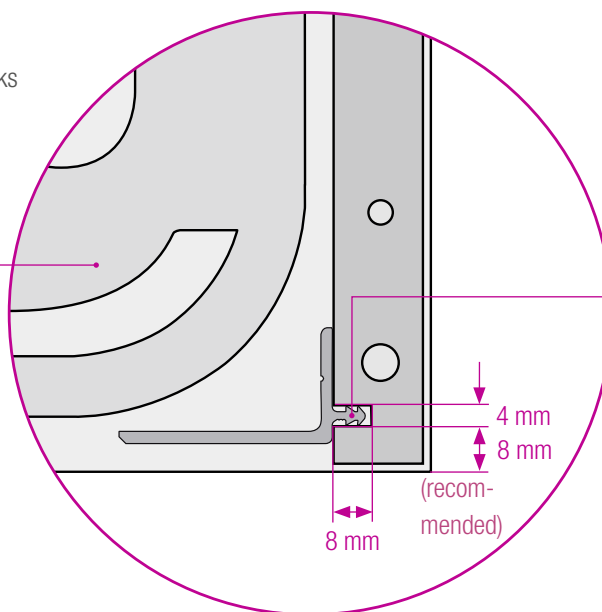
Groove for pelmet:
Depth: 8 mm
Width: 4 mm offset:
8 mm (recommended)

1.2 Details of the recommended cabinet design running into the side wall:



Milling patterns for the different spiral tracks are attached

Milled out section for spiral:
Depth: 12.5 mm



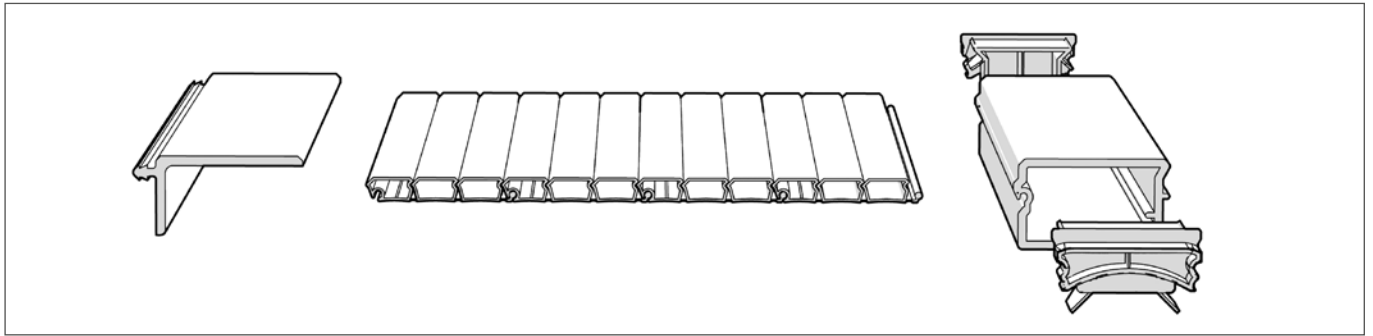
Groove for pelmet:
Depth: 8 mm
Width: 4 mm offset:
8 mm (recommended)

Note:

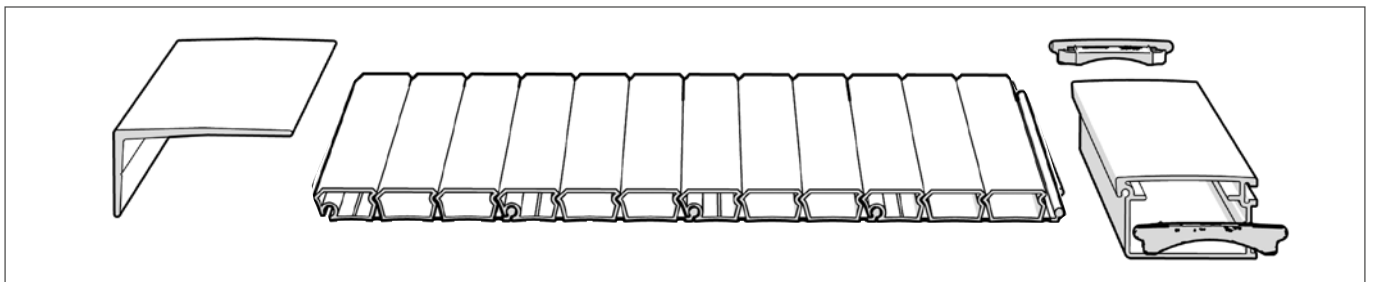
Pelmets can also be placed further towards the front. When recessed towards the back, there is a risk that the tambour door will rub on the pelmet.

2. Components pelmet, tambour door carpet and grip section (incl. slam rail glide)

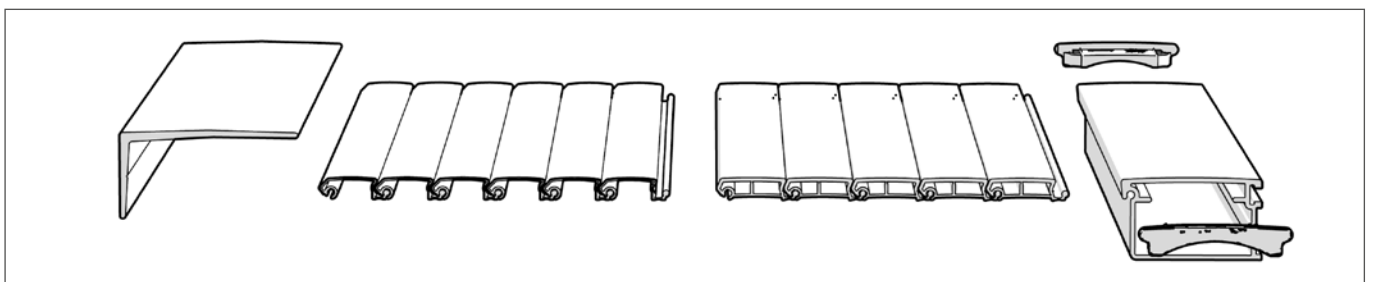
Tambour door system E23 uni / decor



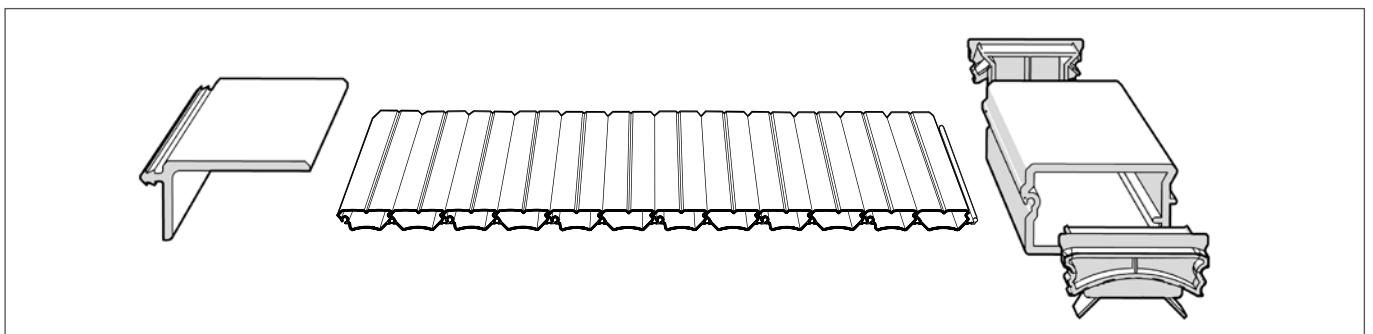
Tambour door system E23 translucent



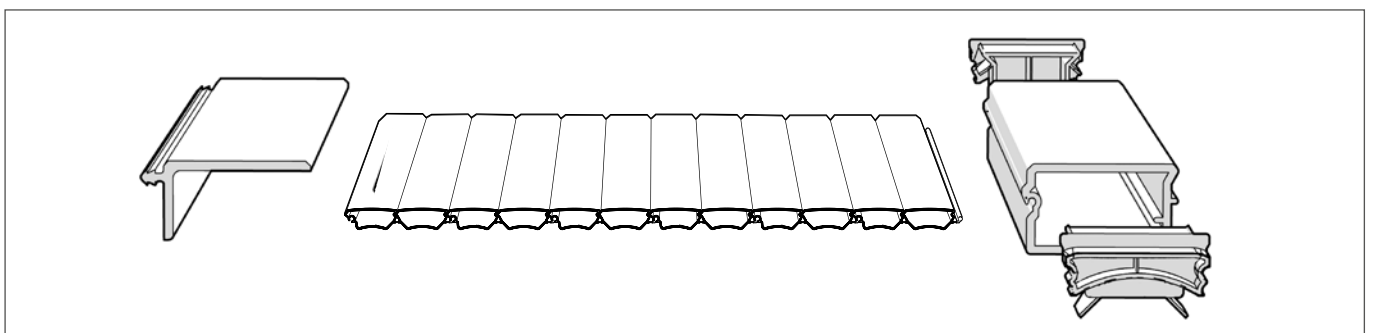
Tambour door system metallic line 20 mm + metallic line 25 mm



Tambour door system E4



Tambour door system SE16



3. Calculating the required profile lengths

3.1 Classic system 12 mm

	running into the spiral	running into the rear wall
Front track	Internal width - 58.5 mm	Internal width - 70,5 mm
Front track 2-door	Internal width - 117 mm	Internal width - 145 mm
Track to the side wall		Internal depth - 155 mm
Rear track 1-door		Front track - Track to the side wall
Rear track 2-door		(Front track - Track to the side wall) / 2
The rear track can also be milled through => same length as the front track. Tendency to leave the rear track longer		
Number of tambour door profiles		
E4	Internal width / 60 mm (round up)	Internal width / 60 mm (round up)
SE 16	Internal width / 59 mm (round up)	Internal width / 59 mm (round up)
Cutting to length		
Pelmet	Internal height	Internal height
Profile length tambour doors: E4 / SE 16	Internal height + 14 mm	Internal height + 14 mm
Grip section: E4, SE 16	Internal height - 7 mm	Internal height - 7 mm

Note: Recommended dimensions. These can deviate from the recommendations depending on the application.

3.2 Classic system 8 mm

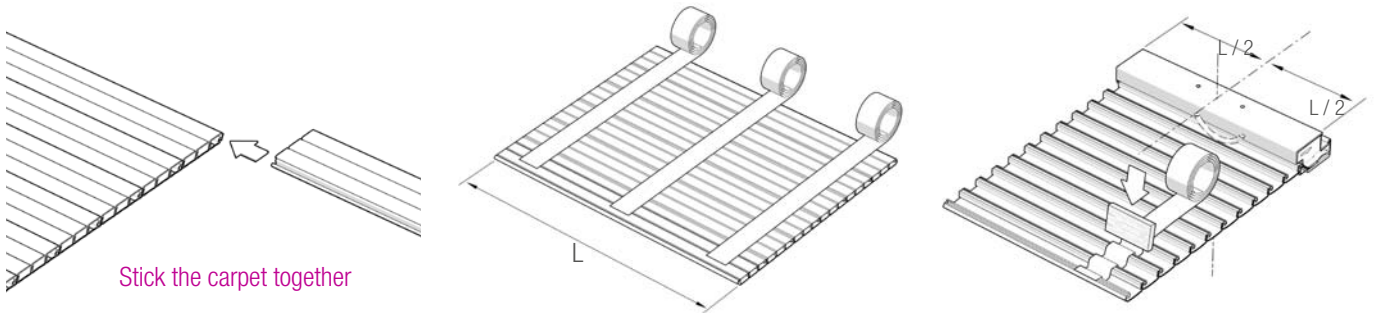
	running into the spiral	running into the rear wall
Front track 1-door	Internal width - 58.5 mm	Internal width - 70,5 mm
Front track 2-door	Internal width - 117 mm	Internal width - 141 mm
Track to the side wall		Internal depth - 151 mm
Rear track 1-door		Front track - Track to the side wall
Rear track 2-door The rear track can also be milled through => same length as the front track. Tendency to leave the rear track longer		(Front track - Track to the side wall) / 2
Number of tambour door profiles		
E23	Internal width / 45 mm (round up)	Internal width / 45 mm (round up)
metallic - line 25	Internal width / 24.5 mm (round up)	Internal width / 24.5 mm (round up)
metallic - line 20	Internal width / 19.5 mm (round up)	Internal width / 19.5 mm (round up)
Cutting to length		
Pelmet	Internal height	Internal height
Profile length tambour doors: E23	Internal height + 14 mm	Internal height + 14 mm
Profile length tambour doors: metallic - line 20 mm / 25 mm	Internal height + 11 mm (when using glides) Internal height + 14 mm (when using glides)	Internal height + 11 mm (when using glides) Internal height + 14 mm (when using glides)
Adapter profile (metallic-line only)	Internal height - 9 mm	Internal height - 9 mm
Grip section: E23	Internal height - 7 mm	Internal height - 7 mm
Grip section: metallic - line 25 mm	Internal height + 11 mm	Internal height + 11 mm

Note: Recommended dimensions. These can deviate from the recommendations depending on the application.

4. Fabrication

4.1 Carpet fabrication

For PVC and aluminium a flat tooth saw blade $\varnothing 300$ mm, $n=3000$ 1/min is recommended for cutting to length.

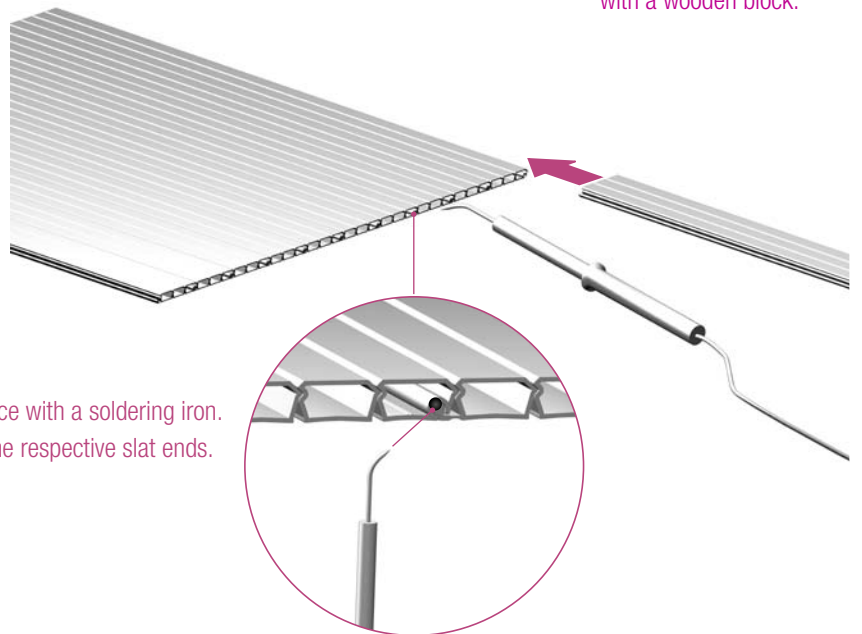


E23 + metallic-line 25
Fixing with adhesive tape

Number of adhesive tapes:
 $L < 600$ mm 2 x
 $L > 600$ mm 3 x

metallic-line 20
Fixing with adhesive tape.
The adhesive tape must be pushed into the base with a wooden block.

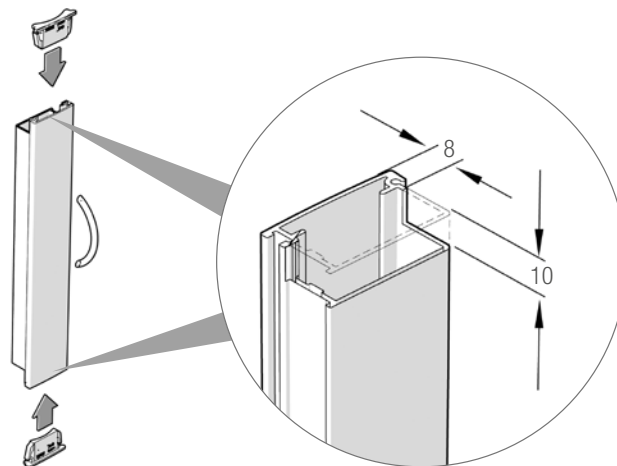
In the case of E23 translucent, weld the connections between the tambour door slats in the track area with a soldering iron. Adhesive tape not required..



Male and female connector are each welded on the face with a soldering iron. When doing this, the welding point must not overlap the respective slat ends.

4.2 Fabricate the aluminium grip section

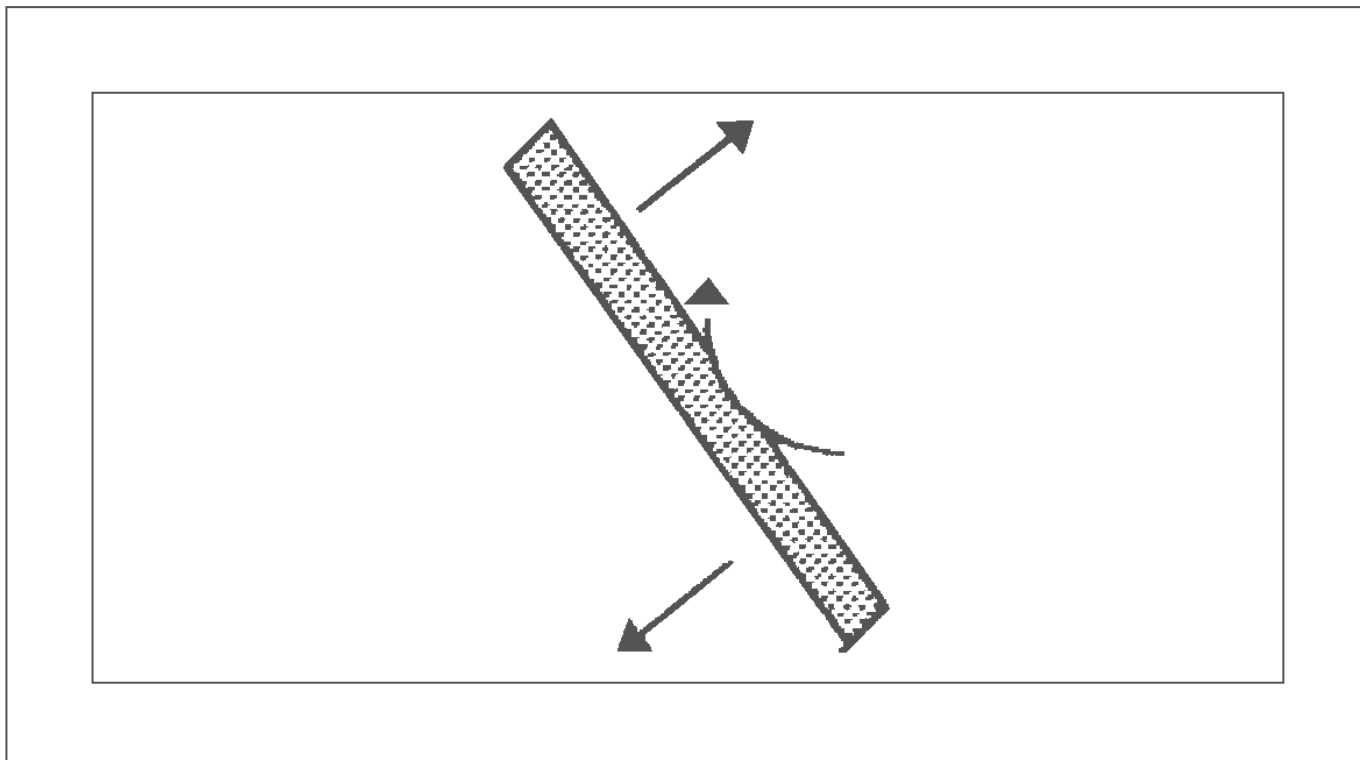
The aluminium grip section must be notched for metallic-line 20, metallic-line 25 and E23 translucent tambour doors. Then insert the grip section.



Note: When using a GRL adhesive, no notching is required.

5. Installation into the cabinet

In the case of a glued laminated carcass, insert the tambour door carpets at the same time as gluing. Alternatively, the carcass can be spread using a batten. Batten approx. 10 mm longer than the internal cabinet height. Pad the ends if necessary.



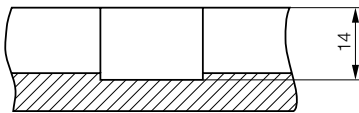
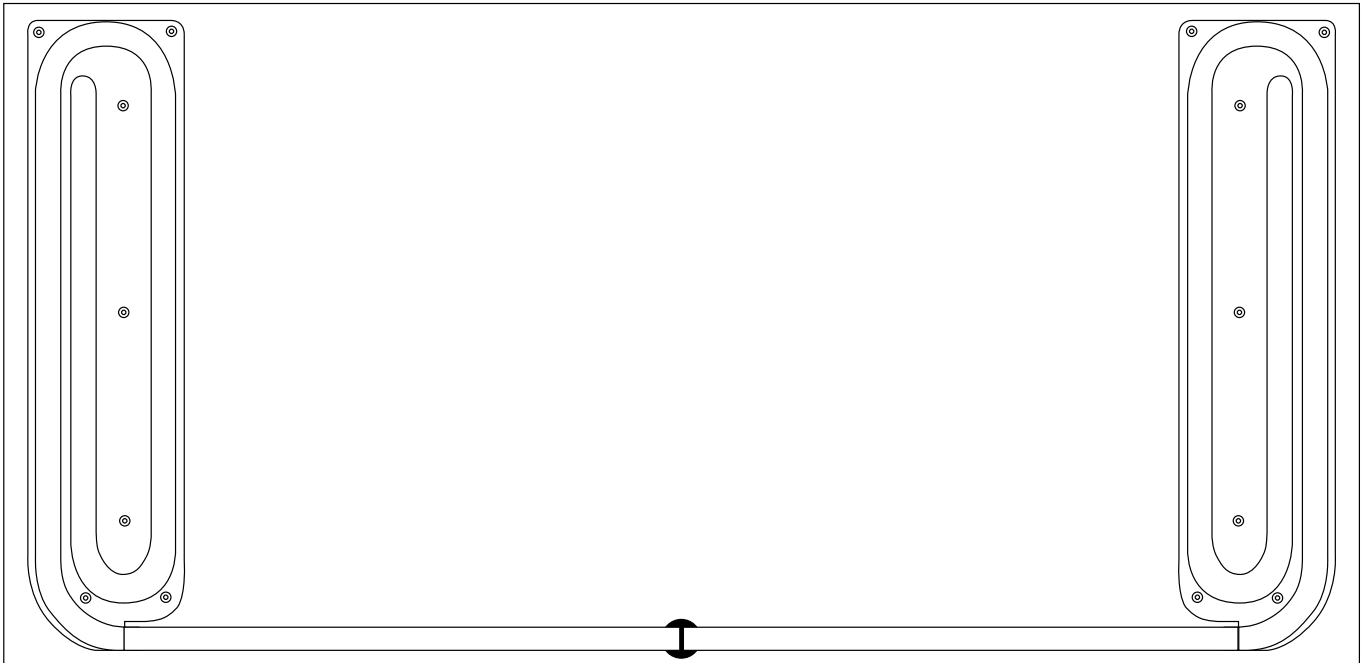
When using cabinet connectors, no spreading is required. If necessary, the centre panel must be fitted with cabinet connectors that go all the way through or are accessible from the inside.

6. Assembly procedure

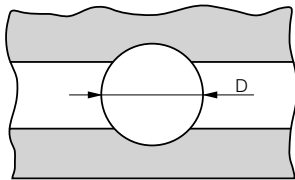
1. Stick track or track + spiral together.
2. Push in the tracks, screw in the spirals if required (can take place prior to assembly or gluing)
3. Fit the pelmet (push in, or screw in)
4. Open or spread the cabinet
5. Insert the tambour door carpet (together with the grip section)
6. Close the cabinet connector, or remove batten
7. Check the tambour door to ensure that it moves freely.

7. Centre stop

Centre stops are used in 2-door cabinets. The corresponding locating holes are to be positioned as follows:



Hole depth: 14 mm



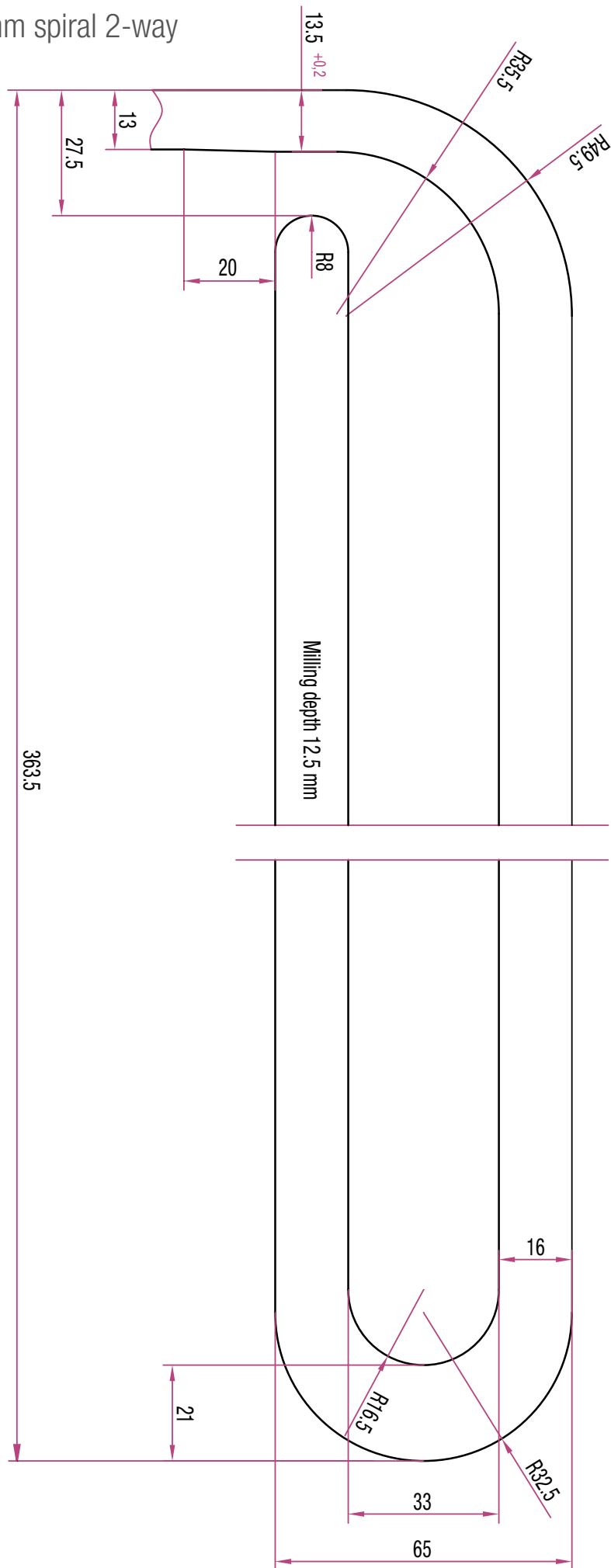
Hole diameter D:
20 mm for 8 mm system
25 mm for 12 mm system

8. Maintenance and care

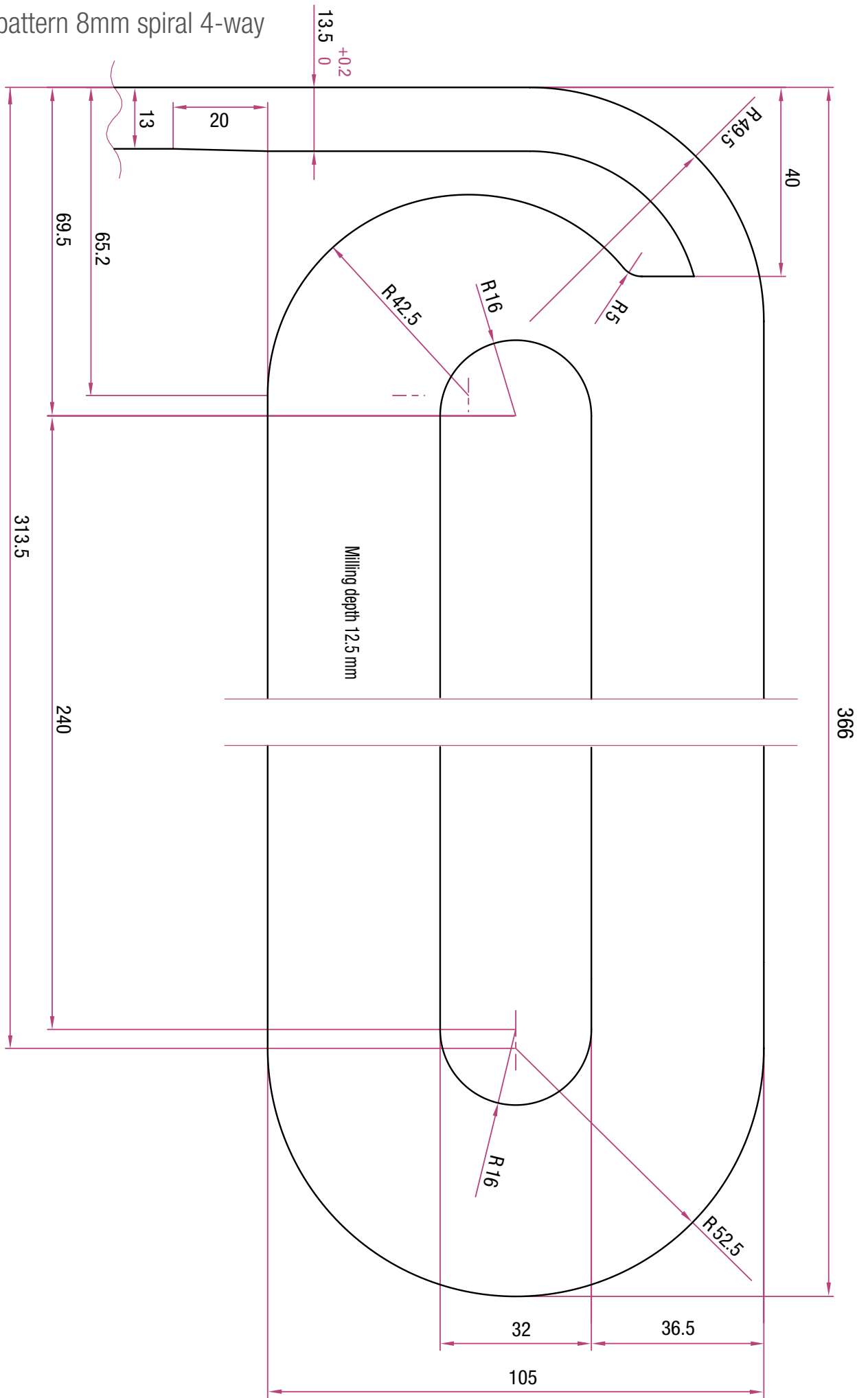
The tambour door is almost maintenance-free in normal operation. The tracks should however be checked for dirt from time to time, and where necessary should be sprayed with lubricant spray in order to maintain the running properties in the long-term.

Household cleaning agents without scouring additives or abrasive solvents can be used to maintain the surfaces of the tambour doors.

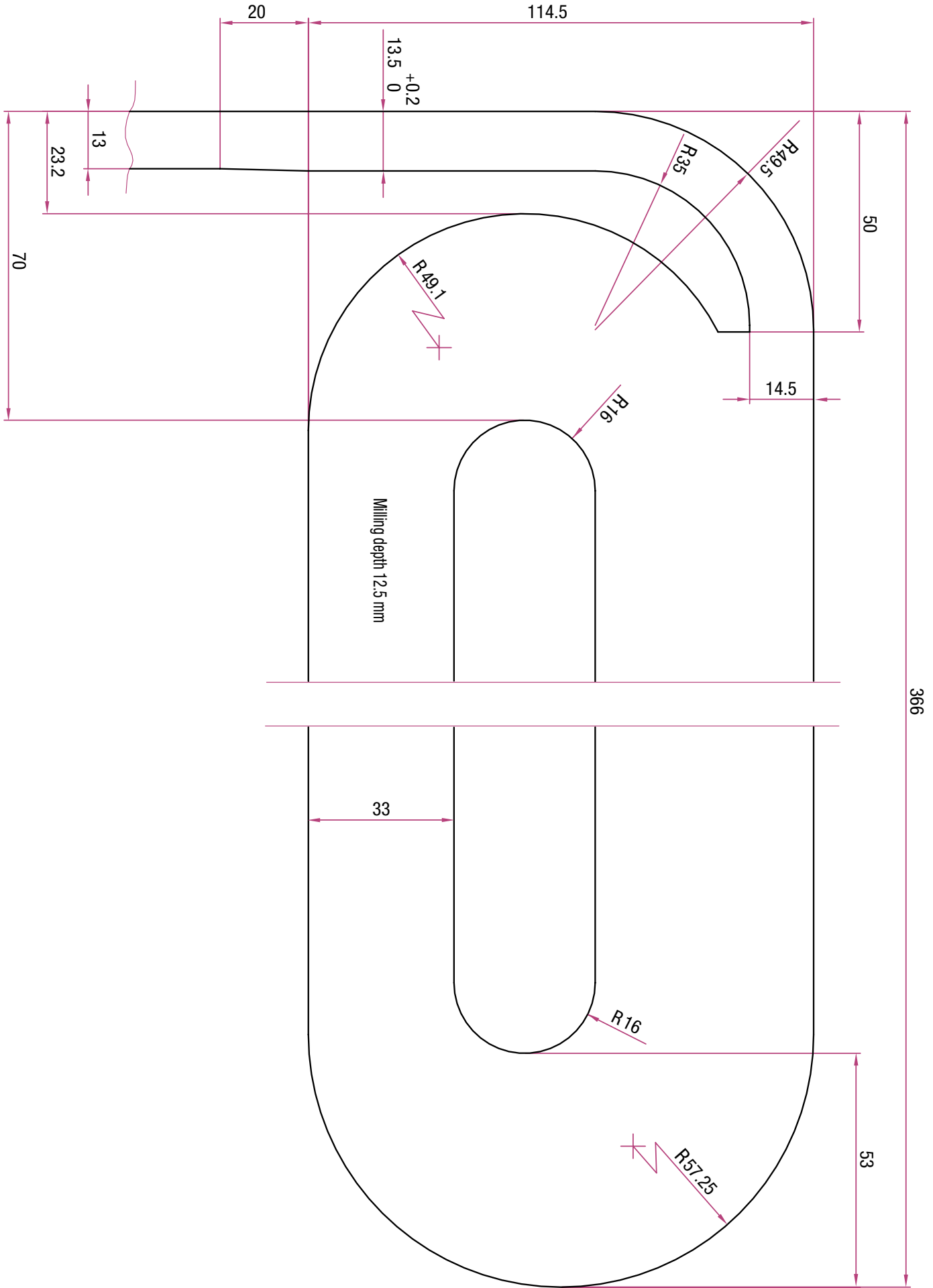
Milling pattern 8mm spiral 2-way



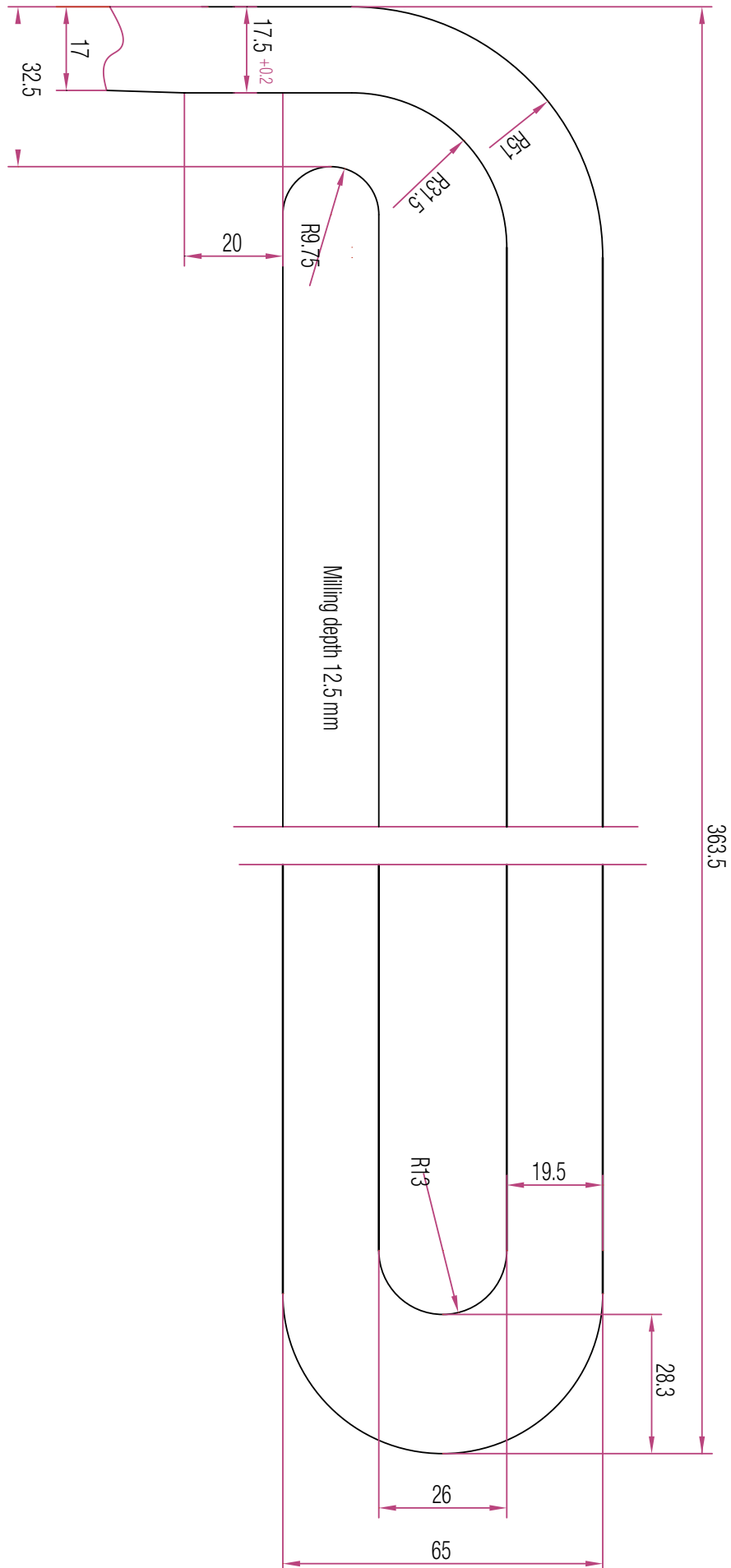
Milling pattern 8mm spiral 4-way



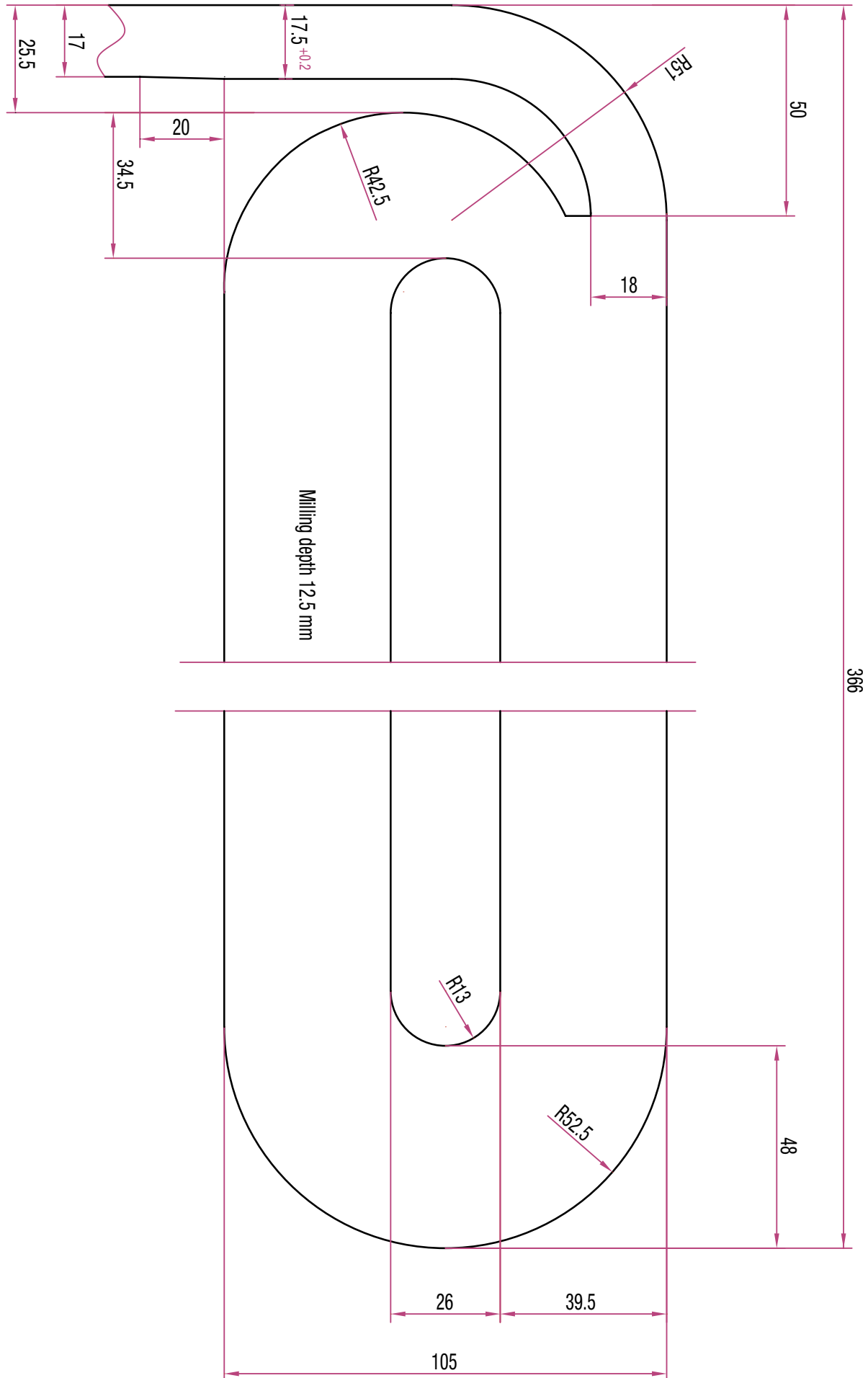
Milling pattern 8mm spiral 5-way



Milling pattern 12mm spiral 2-way



Milling pattern 12mm spiral 4-way



Notes

A series of 19 horizontal grey bars, evenly spaced, intended for writing notes. Each bar spans the width of the page.

Our verbal and written advice relating to technical applications is based on experience and is to the best of our knowledge correct but is given without obligation. The use of REHAU products in conditions that are beyond our control or for applications other than those specified releases us from any obligation in regard to claims made in respect of the products. We recommend that the suitability of any REHAU product for the intended application should be checked. Utilization and processing of our products are beyond our control and are therefore exclusively your responsibility. In the event that a liability is nevertheless considered, any compensation will be limited to the value of the goods supplied by us and used by you. Our warranty assumes consistent quality of our products in accordance with our specification and in accordance with our general conditions of sale.

This document is protected by copyright. All rights based on this are reserved. No part of this publication may be translated, reproduced or transmitted in any form or by any similar means, electronic or mechanical, photocopying, recording or otherwise, or stored in a data retrieval system.